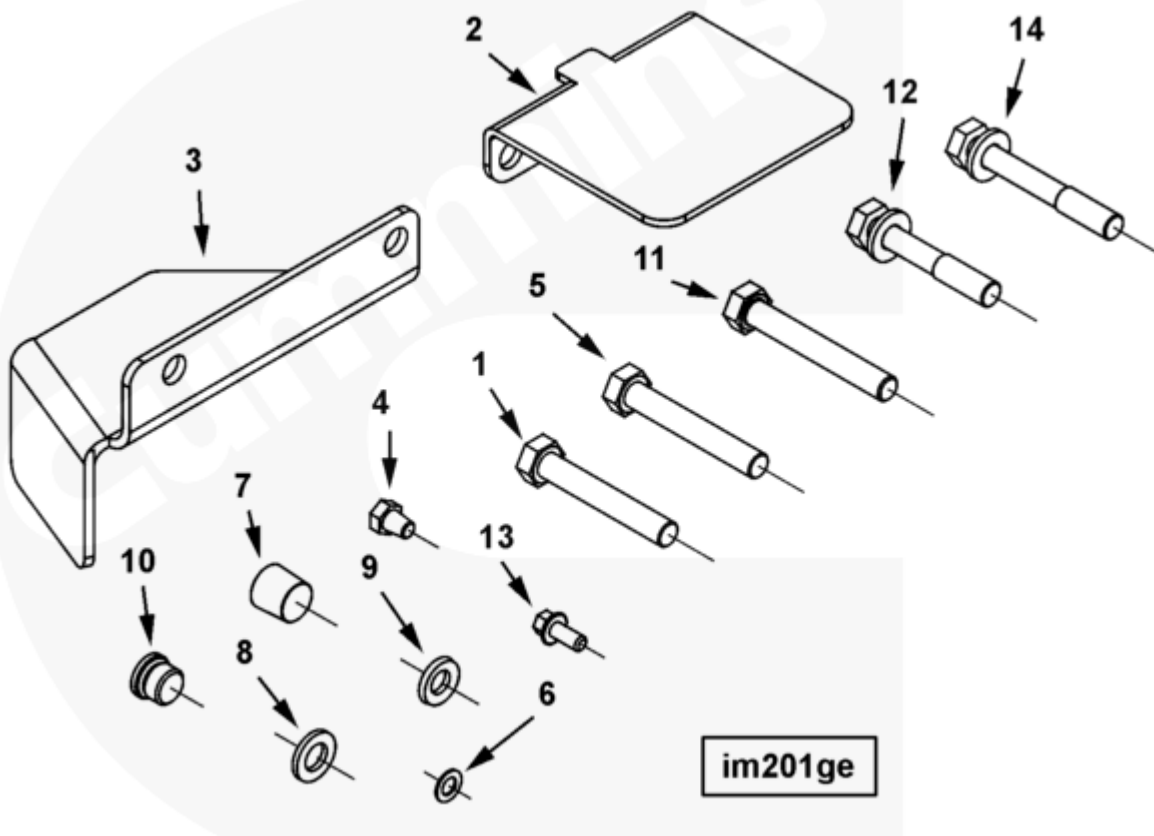




Parts Catalog - Option Detail

Electronic Parts Catalog - Option Detail				
Option	Group	Graphic	Film Card	Date
IM2704-01	10.01	im201ge	II	14-JUL-06
Engines	ISM CM570, ISM CM570/870, ISM CM875, ISM CM876, ISM CM876 E, ISM11 CM876 M103, ISM11 CM876 SN, M11 CELECT, M11 CELECT PLUS, M11 MECHANICAL, QSM11 CM570, QSM11 CM876			

©Cummins Inc



SMALL | MEDIUM | LARGE

Cart	Ref No	Part Number	Part Description	Required	Remarks
View My Cart					
		IM2704-01	Air Intake Manifold Mounting		
					Air Int Manifold Mounting
					Int Manifold Air Inlet
					Location: Side
					Requires "Bolt-On" Air Intake
					Connection

					Int Man Temp Sensor Mtg Loc:
					Center
					Int Boost Sensor Mtg Loc:
					Front
					Air Heater Mtg Provision: No
					ECM Location: High or Low
					Turbocharger Exhaust Outlet
					Location: Rear Out
<input type="checkbox"/>	1	3088162	Hexagon Head Cap Screw	14	
<input type="checkbox"/>	2	3335470	Heat Shield	1	
<input type="checkbox"/>	3	4083475	Heat Shield	1	
<input type="checkbox"/>	4	3031511	Pipe Plug	1	1/8 NPT.
<input type="checkbox"/>	5	3081345	Hexagon Head Cap Screw	6	M10 x 1.50 x 65.
<input type="checkbox"/>	6	112408	Plain Washer	1	1/4 in.
<input type="checkbox"/>	7	3008468	Pipe Plug	1	1/2 NPT.
<input type="checkbox"/>	8	3009330	Plain Washer	2	M10.
<input type="checkbox"/>	9	3036460	Spring Washer	10	
<input type="checkbox"/>	10	3037536	Threaded Plug	4	9/16 - 18 UNF
<input type="checkbox"/>	11	3081346	Hexagon Head Cap Screw	2	M10 x 1.50 x 70.
<input type="checkbox"/>	12	3821847	Captive Washer Cap Screw	16	M10 X 1.50 X 60.
<input type="checkbox"/>	13	3900627	Hexagon Flange Head Cap Screw	1	M6 X 1.00 X 14.
<input type="checkbox"/>	14	4070453	Captive Washer Cap Screw	2	